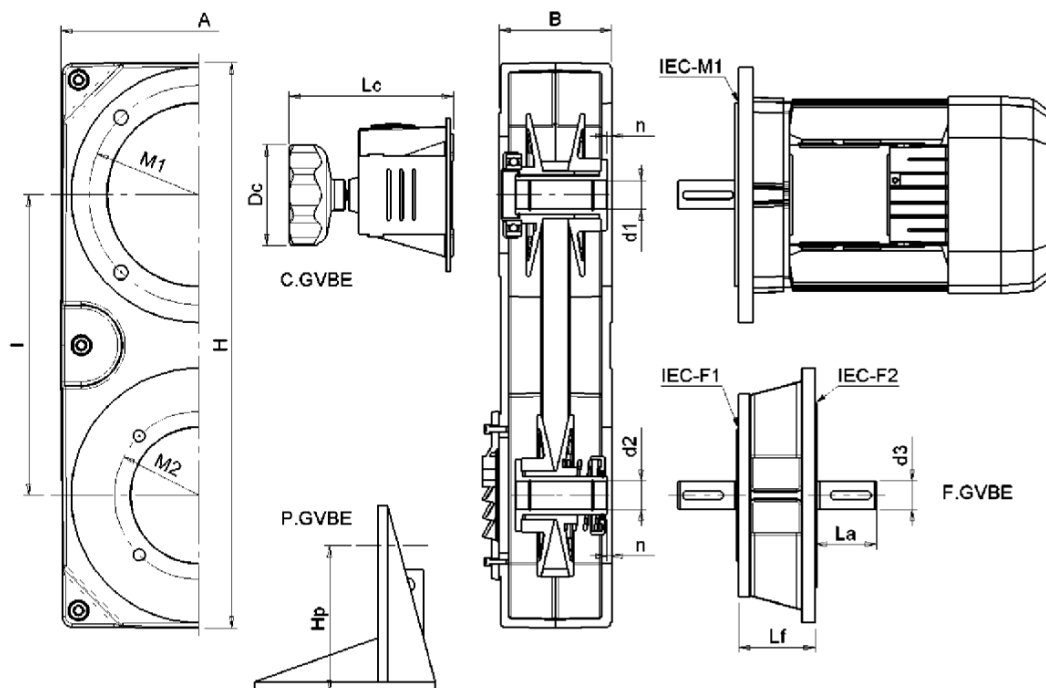


VARIATORI VARIATORS



GVBE 05

GVBE 05

POTENZA – POWER

15,0 kW

GRD SIZE	MOTORE MOTOR	IEC M ₁	P _{T1} [Kw]	n ₁ [rpm]	IEC F ₁	IEC F ₂	P _{T2} [Kw]		n ₂ [rpm]	
							max	min	max	min
5/250	160 B5	350	11,0	1450	300	350	9,9	3,0	3970	530
5/280	160 B5	350	15,0	1455	300	350	13,5	4,5	4240	500

DIMENSIONI - DIMENSIONS [mm]

GRD SIZE	d ₁	d ₂	n	M ₁	M ₂	A	B	H	I	L _C	D _C	d ₃	L _a	L _f	H _p
5/250	42	42	16,5	300	265 300	370	178	780	418	178	160	42	110	125	270
5/280	42	42	8	300	265 300	370	178	780	418	178	160	42	110	125	270