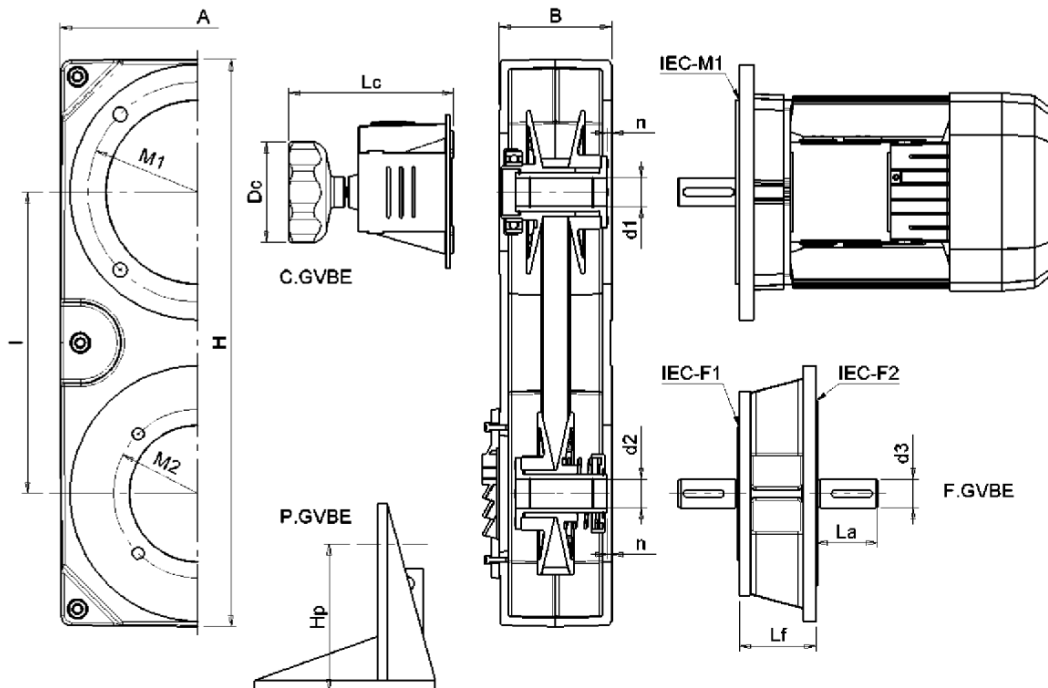


VARIATORI VARIATORS



GVBE 07

GVBE 07

POTENZA – POWER 55,0 kW

GRD SIZE	MOTORE MOTOR	IEC M ₁	P _{T1} [Kw]	n ₁ [rpm]	IEC F ₁	IEC F ₂	P _{T2} [Kw]		n ₂ [rpm]	
							max	min	max	min
7/375	225 B5	450	37,0	1475	450	550	33,3	16,0	2760	520
7/375	225 B5	450	45,0	1475	450	550	40,5	16,0	2760	520
7/400	250 B5	550	55,0	1475	450	550	49,0	18,5	2575	515

DIMENSIONI - DIMENSIONS [mm]

GRD SIZE	d ₁	d ₂	n	M ₁	M ₂	A	B	H	I	L _C	D _C	d ₃	L _a	L _f	H _p
7/375	60	60	10	400	400 500	560	240	1200	624	244	200	60	140	215	420
7/400	65	65	10	500	400 500	560	240	1200	624	244	200	65	140	215	420