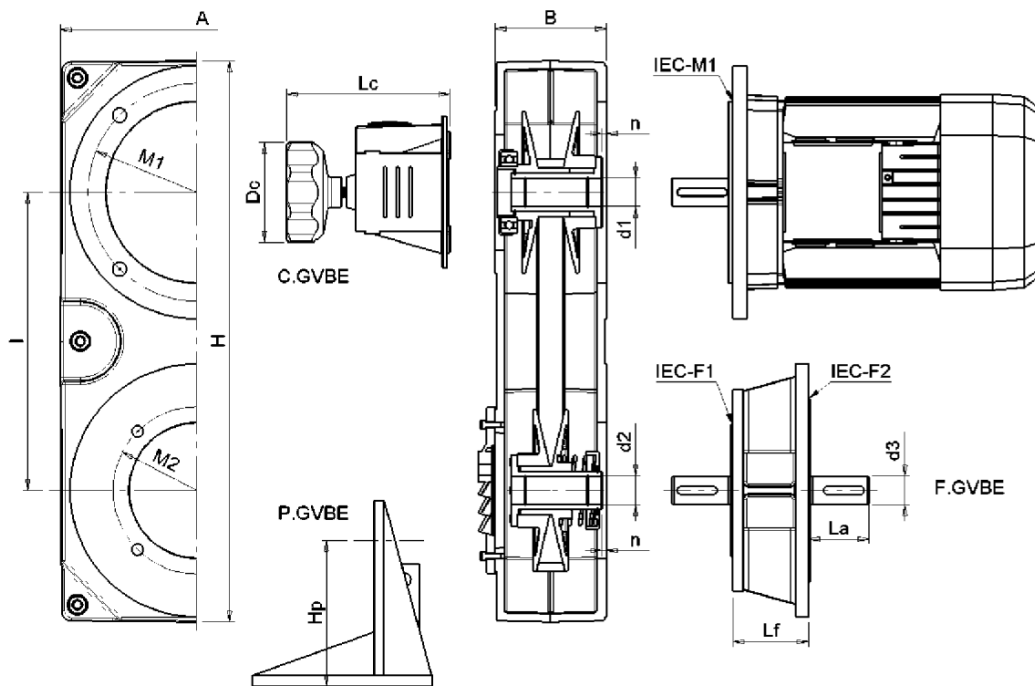


# VARIATORI VARIATORS



**GVBE 04**

## GVBE 04

POTENZA – POWER

**7,5 kW**

GRD SIZE	MOTORE MOTOR	IEC M <sub>1</sub>	P <sub>T1</sub> [Kw]	n <sub>1</sub> [rpm]	IEC F <sub>1</sub>	IEC F <sub>2</sub>	P <sub>T2</sub> [Kw]		n <sub>2</sub> [rpm]	
							max	min	max	min
4/235	112 B5	250	4,0	1430	250	300	3,6	1,74	4610	439
4/210	132 B5	300	7,5	1450	250	300	6,7	2,0	3970	530

## DIMENSIONI - DIMENSIONS [mm]

GRD SIZE	d <sub>1</sub>	d <sub>2</sub>	n	M <sub>1</sub>	M <sub>2</sub>	A	B	H	I	L <sub>C</sub>	D <sub>C</sub>	d <sub>3</sub>	L <sub>a</sub>	L <sub>f</sub>	H <sub>p</sub>
4/235	28	28	9	215	215 265	320	140	665	345	150	125	38	80	104	235
4/210	38	38	9	265	215 265	320	140	665	345	150	125	38	80	104	235