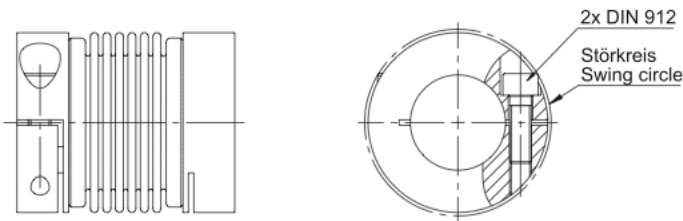


Metallbalgkupplung MKA-S mit Klemmnaben aus Aluminium

Metal bellow coupling MKA-S with clamping hub made of aluminium



Merkmale

- Klemmnaben aus hochfestem Aluminium
- Spielfreie Drehmomentübertragung
- Kleiner Einbauraum
- Montagefreundlich
- Wartungsfrei
- Hohe Temperaturbeständigkeit
- Niedriges Massenträgheitsmoment
- Ideal für Servomotoren
- Kleinste Rückstellkräfte auf die Lagerstellen

Werkstoff der Naben: Aluminium
Werkstoff des Metallbalges: Edelstahl
Verbindung Balg-Nabe: eingerollt

Bestellbezeichnung / Beispiel:

MKA-S-150 - 28H7 - 42H7
Typ+Größe Bohrung D1 Bohrung D2

Characteristics

- Clamping hub made of high-strength aluminium
- Backlash-free torque transmission
- A small space for assembly
- Easy assembly
- Maintenance-free
- High level of thermal stability
- Very low mass moment of inertia
- Ideal for servomotors
- Low restore forces on bearing points

Material of hubs: Aluminium
Material of bellows: Stainless steel
Connection of bellows to hub: Rolled up

Order description / example:

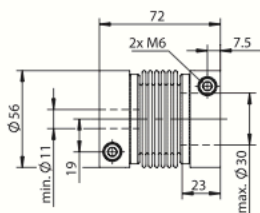
MKA-S-150 - 28H7 - 40H7
Type+Size Bore D1 Bore D2

Standard Optionen / Standardized options



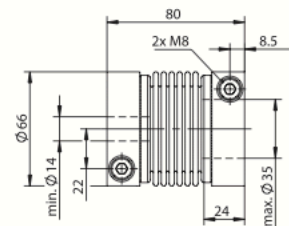
Gewünschte Optionen müssen im Bestelltext angegeben werden (Legende Symbole S. 7).
Desired options have to be mentioned in the order text (key symbols p. 7).

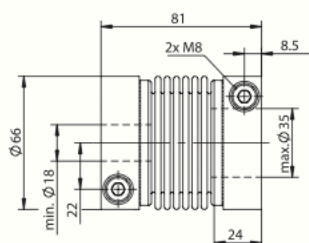
MKA-S-15



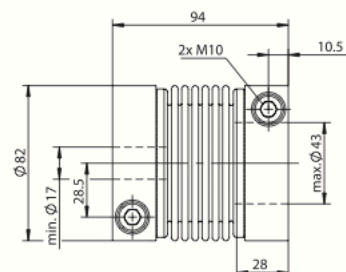
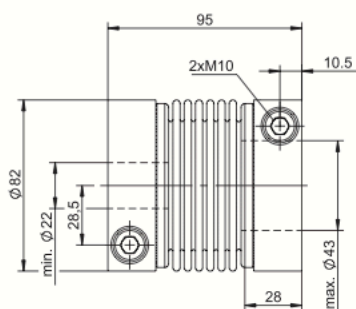
15 [Nm]	Nennmoment Nominal torque	40 [Nm]
9.3 [10 ³ Nm/rad]	Torsionssteife Torsional stiffness	26.5 [10 ³ Nm/rad]
87 [N/mm]	Laterale Federsteife Lateral spring stiffness	175 [N/mm]
13 [N/mm]	Axiale Federsteife Axial spring stiffness	27.5 [N/mm]
±0.20 [mm]	Max. lateraler Wellenversatz Max. lateral shaft misalignment	±0.18 [mm]
±1.0 [mm]	Max. axialer Wellenversatz Max. axial shaft misalignment	±1.0 [mm]
±1 [Grad] [Degree]	Max. angularer Wellenversatz Max. angular shaft misalignment	±1 [Grad] [Degree]
0.14 [10 ⁻³ kgm ²]	Trägheitsmoment Inertia torque	0.28 [10 ⁻³ kgm ²]
0.3 [kg]	Masse Mass	0.5 [kg]
M6 [DIN 912-10.9]	Klemmschrauben Clamping screws	M8 [DIN 912-10.9]
14 M _A [Nm]	Anzugsmoment der Schrauben Tightening torque of screws	30 M _A [Nm]
56.2 [σ mm]	Störkreis Swing circle	68.5 [σ mm]

MKA-S-40

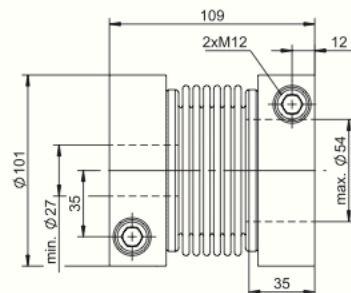
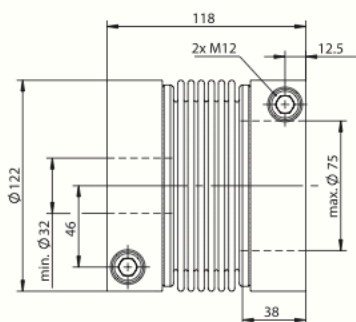


MKA-S-60


60 [Nm]	Nennmoment Nominal torque	100 [Nm]
37.7 [10 ³ Nm/rad]	Torsionssteife Torsional stiffness	63.2 [10 ³ Nm/rad]
262 [N/mm]	Laterale Federsteife Lateral spring stiffness	384 [N/mm]
49 [N/mm]	Axiale Federsteife Axial spring stiffness	45 [N/mm]
±0.18 [mm]	Max. lateraler Wellenversatz Max. lateral shaft misalignment	±0.2 [mm]
±0.9 [mm]	Max. axialer Wellenversatz Max. axial shaft misalignment	±1.3 [mm]
±1 [Grad] [Degree]	Max. angularer Wellenversatz Max. angular shaft misalignment	±1 [Grad] [Degree]
0.29 [10 ⁻³ kgm ²]	Trägheitsmoment Inertia torque	0.8 [10 ⁻³ kgm ²]
0.5 [kg]	Masse Mass	0.8 [kg]
M8 [DIN 912-10.9]	Klemmschrauben Clamping screws	M10 [DIN 912-10.9]
30 M _A [Nm]	Anzugsmoment der Schrauben Tightening torque of screws	50 M _A [Nm]
68.5 [σ mm]	Störkreis Swing circle	84.0 [σ mm]

MKA-S-100

MKA-S-150


150 [Nm]	Nennmoment Nominal torque	200 [Nm]
76.5 [10 ³ Nm/rad]	Torsionssteife Torsional stiffness	89.3 [10 ³ Nm/rad]
473 [N/mm]	Laterale Federsteife Lateral spring stiffness	502 [N/mm]
80 [N/mm]	Axiale Federsteife Axial spring stiffness	78.5 [N/mm]
±0.2 [mm]	Max. lateraler Wellenversatz Max. lateral shaft misalignment	±0.2 [mm]
±1.2 [mm]	Max. axialer Wellenversatz Max. axial shaft misalignment	±1.25 [mm]
±1 [Grad] [Degree]	Max. angularer Wellenversatz Max. angular shaft misalignment	±1 [Grad] [Degree]
0.82 [10 ⁻³ kgm ²]	Trägheitsmoment Inertia torque	2.2 [10 ⁻³ kgm ²]
0.8 [kg]	Masse Mass	1.4 [kg]
M10 [DIN 912-10.9]	Klemmschrauben Clamping screws	M12 [DIN 912-10.9]
65 M _A [Nm]	Anzugsmoment der Schrauben Tightening torque of screws	115 M _A [Nm]
84.0 [σ mm]	Störkreis Swing circle	101.3 [σ mm]

MKA-S-200

MKA-S-350


350 [Nm]	Nennmoment Nominal torque	500 [Nm]
179.9 [10 ³ Nm/rad]	Torsionssteife Torsional stiffness	217.6 [10 ³ Nm/rad]
611 [N/mm]	Laterale Federsteife Lateral spring stiffness	765 [N/mm]
60 [N/mm]	Axiale Federsteife Axial spring stiffness	80 [N/mm]
±0.2 [mm]	Max. lateraler Wellenversatz Max. lateral shaft misalignment	±0.17 [mm]
±1.5 [mm]	Max. axialer Wellenversatz Max. axial shaft misalignment	±1.3 [mm]
±1 [Grad] [Degree]	Max. angularer Wellenversatz Max. angular shaft misalignment	±1 [Grad] [Degree]
2.4 [10 ⁻³ kgm ²]	Trägheitsmoment Inertia torque	4.6 [10 ⁻³ kgm ²]
1.5 [kg]	Masse Mass	2.1 [kg]
M12 [DIN 912-10.9]	Klemmschrauben Clamping screws	M12 [DIN 912-10.9]
115 M _A [Nm]	Anzugsmoment der Schrauben Tightening torque of screws	115 M _A [Nm]
123.5 [σ mm]	Störkreis Swing circle	123.5 [σ mm]

MKA-S-500
