

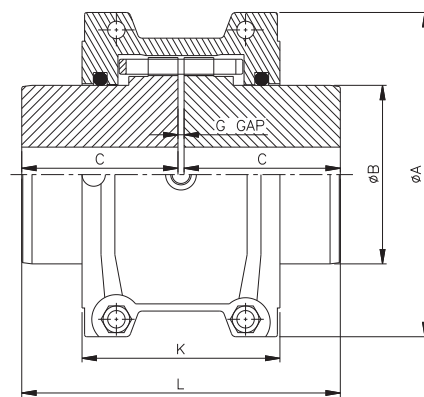
Features

- Torsionally Flexible.
- Vibration dampening - reduced peak / shock loads.
- Accommodates angular, parallel & axial misalignments.
- Low operating cost.
- Smooth & quiet operation.
- Low & easy maintenance.
- Overload conditions cause the grid element to shear, like a mechanical fuse.
- Quick & easy installation.

Applications

- Cement mills: Crushers and grinding machines.
- Steel mills: Coilers, cold mills, hot mills etc.
- Paper mills: Calendar, couch roll, suction roll, dryer drives etc.
- Sugar mills: Cane carrier and leveler, cane knife and crusher.
- General: Agitators, Blowers, conveyors, cranes etc.

RGTH Coupling



TECHNICAL DATA

Coupling Size	KW at 100 rpm	Basic Torque (Nm)	Max. Speed (rpm)	Bore Dia (mm)		Dimensions (mm)					Gap (mm)	Lube weight (Kg)	Weight In (kg)
				Min.	Max.	ØA	ØB	C	K	L			
1020	0.50	48	4500	13.0	30	101.5	39.7	47.5	66.5	98.0	3	0.03	1.9
1030	1.42	136	4500	13.0	36	110.0	49.2	47.5	68.0	98.0	3	0.03	2.6
1040	2.36	226	4500	13.0	44	117.5	57.1	51.0	70.0	104.5	3	0.05	3.4
1050	4.14	395	4500	13.0	51	138.0	66.7	60.0	79.5	123.5	3	0.05	5.4
1060	6.50	621	4350	19.5	57	150.5	76.2	63.5	92.0	130.0	3	0.09	7.3
1070	9.46	903	4125	19.5	68	162.0	87.3	76.0	95.0	155.5	3	0.11	10
1080	19.51	1863	3600	27.0	82	194.0	104.8	89.0	116.0	181.0	3	0.17	18
1090	35.47	3387	3600	27.0	95	213.0	123.8	98.5	122.0	200.0	3	0.25	25
1100	59.71	5702	2400	41.5	110	250.0	142.0	120.5	155.5	245.5	4.5	0.43	42
1110	88.67	8468	2250	41.5	120	270.0	160.3	127.0	161.5	258.5	4.5	0.51	54
1120	130.05	12420	2025	60.5	140	308.0	179.4	149.5	191.5	304.5	6	0.73	81
1130	189.17	18066	1800	66.5	170	346.0	217.5	162.0	195.0	330.0	6	0.91	121
1140	271.93	25969	1650	66.5	200	384.0	254.0	183.0	201.0	371.5	6	1.13	178
1150	378.34	36131	1500	108.0	215	453.0	269.2	183.0	271.0	372.0	6	1.95	234
1160	532.04	50810	1350	120.5	240	501.5	304.8	198.0	279.0	402.0	6	2.81	317
1170	709.38	67746	1225	133.5	280	566.5	355.6	216.0	304.0	438.0	6	3.49	448
1180	983.68	93941	1100	152.5	300	630.0	393.7	239.0	321.0	483.5	6	3.76	619
1190	1300.53	124201	1050	152.5	335	675.5	436.9	259.0	325.0	524.5	6	4.40	776
1200	1773.46	169365	900	179.0	360	757.0	497.8	279.5	355.5	565.0	6	5.62	1058
1210	2605.47	248822	820	178.0	390	844.5	533.4	305.0	432.0	622.5	12.7	10.5	1424
1220	3515.89	335768	730	203.0	420	920.5	571.5	325.1	490.0	663.0	12.7	16.1	1785

Lubrication:

For quality lubrication to get good performance and long life, Rathi Special Grease (RSG) is highly recommended. After every three months or every 240 ~ 250 operating hours, required to add grease. Every 6 months or every 4000 operating hours required to replace all deteriorated grease.