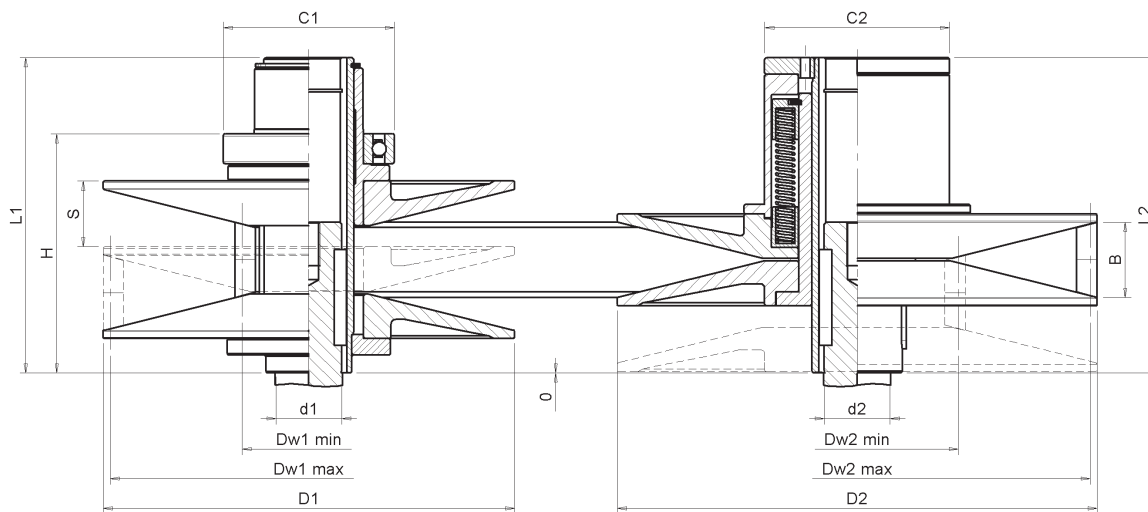


PULEGGE VARIABILI VARIABLE SPEED PULLEYS



TXR U

GRANDEZZA SIZE		350	400	450			
CINGHIA BELT	B	55x15	65x20	70x20			
POTENZA POWER	[kW]	18,5	22,0	30,0	37,0	45,0	55,0
PULEGGIA MOTRICE DRIVING PULLEY	$d_1^{(1)}$	48	48	55	60	60	65
	D_1	300,0	350,0	400,0			
	D_{w1}	min	100,0	122,0	135,0		
		max	292,5	340,0	390,0		
	L_1	230,0	250,0	270,0			
	C_1	125,0	150,0	150,0			
	H	min	126,5	141,3	150,1		
		max	174,5	195,7	208,9		
	S	48,0	54,4	58,9			
	PULEGGIA CONDOTTA DRIVEN PULLEY	$d_2^{(1)}$	48	48	55	60	60
D_2		350,0	400,0	450,0			
D_{w2}		min	150,0	172,0	185,0		
		max	342,5	390,0	440,0		
L_2		230,0	250,0	270,0			
C_2		135,0	155,0	160,0			

(1) FORI ISO H7 – CAVE CHIAVETTA UNI 6604/69 – DIN 6885/1-3

(1) BORES ISO H7 – KEYWAYS UNI 6604/69 – DIN 6885/1-3

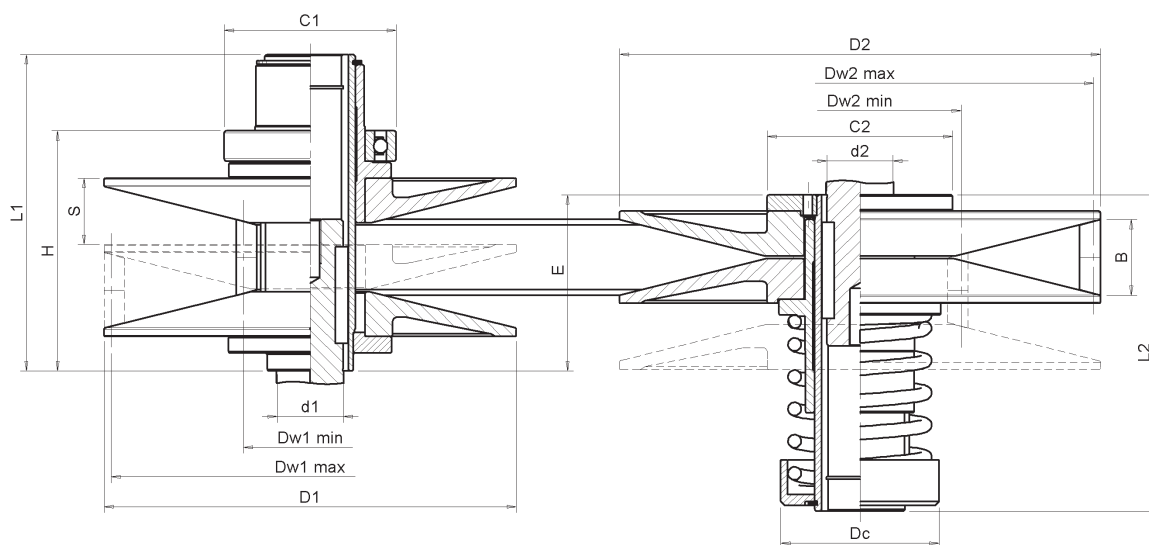
(1) FORI SPECIALI A RICHIESTA

(1) SPECIAL BORES ON DEMAND

DIMENSIONI IN [mm] – NON IMPEGNATIVE

DIMENSIONS IN [mm] – NOT BINDING DATA

PULEGGE VARIABILI VARIABLE SPEED PULLEYS



TXR Z

GRANDEZZA SIZE		350	400	450			
CINGHIA BELT	B	55x15	65x20	70x20			
POTENZA POWER	[kW]	18,5	22,0	30,0	37,0	45,0	55,0
PULEGGIA MOTRICE DRIVING PULLEY	d₁ (1)	48	48	55	60	60	65
	D₁	300,0	350,0	400,0	450,0	500,0	550,0
	D_{w1}	min	100,0	122,0	135,0	150,0	165,0
		max	292,5	340,0	390,0	440,0	490,0
	L₁	230,0	250,0	270,0	300,0	330,0	360,0
	C₁	125,0	150,0	150,0	180,0	180,0	210,0
	H	min	126,5	141,3	150,1	165,0	179,8
		max	174,5	195,7	208,9	230,0	248,1
S	48,0	54,4	58,9	65,0	71,1	77,2	
PULEGGIA CONDOTTA DRIVEN PULLEY	d₂ (1)	48	48	55	60	60	65
	D₂	350,0	400,0	450,0	500,0	550,0	600,0
	D_{w2}	min	150,0	172,0	185,0	210,0	225,0
		max	342,5	390,0	440,0	490,0	540,0
	D_c	105	130	135	160,0	160,0	190,0
	L₂	230,0	250,0	270,0	300,0	330,0	360,0
	C₂	135,0	155,0	160,0	190,0	190,0	220,0
	E	128	144	155	180,0	180,0	210,0

(1) FORI ISO H7 – CAVE CHIAVETTA UNI 6604/69 – DIN 6885/1-3

(1) BORES ISO H7 – KEYWAYS UNI 6604/69 – DIN 6885/1-3

(1) FORI SPECIALI A RICHIESTA

(1) SPECIAL BORES ON DEMAND

DIMENSIONI IN [mm] – NON IMPEGNATIVE

DIMENSIONS IN [mm] – NOT BINDING DATA