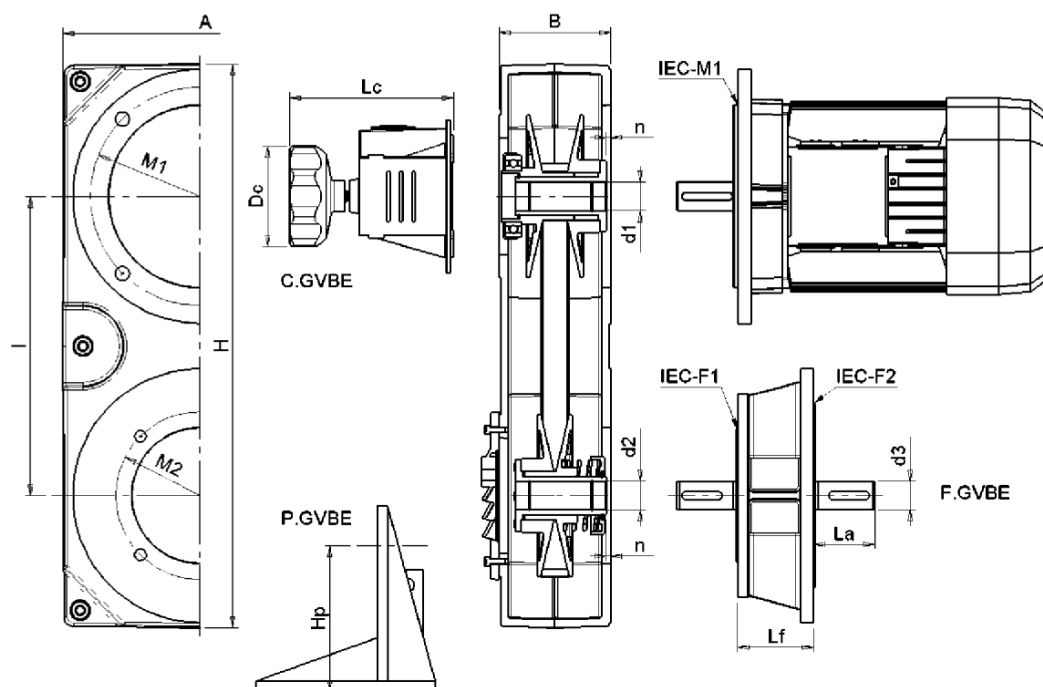


VARIATORI VARIATORS



GVBE 08

GVBE 08

POTENZA – POWER 110,0 kW

GRD SIZE	MOTORE MOTOR	IEC M ₁	P _{T1} [Kw]	n ₁ [rpm]	IEC F ₁	IEC F ₂	P _{T2} [Kw]		n ₂ [rpm]	
							max	min	max	min
8/450	280 B5	550	75,0	1480	550	660	67,5	21,2	2770	630
8/500-a	280 B5	550	90,0	1480	550	660	81,0	40,0	1992	498
8/500-b	315 B5	660	110,0	1480	550	660	99,0	40,0	1992	498

DIMENSIONI - DIMENSIONS [mm]

GRD SIZE	d ₁	d ₂	n	M ₁	M ₂	A	B	H	I	L _C	D _C	d ₃	L _a	L _f	H _p
8/450	75	75	10	500	500 600	670	300	1400	720	348	250	75	140	285	520
8/500-a	75	75	10	500	500 600	670	300	1400	720	348	250	75	140	285	520
8/500-b	80	80	10	600	500 600	670	300	1400	720	348	250	80	170	285	520