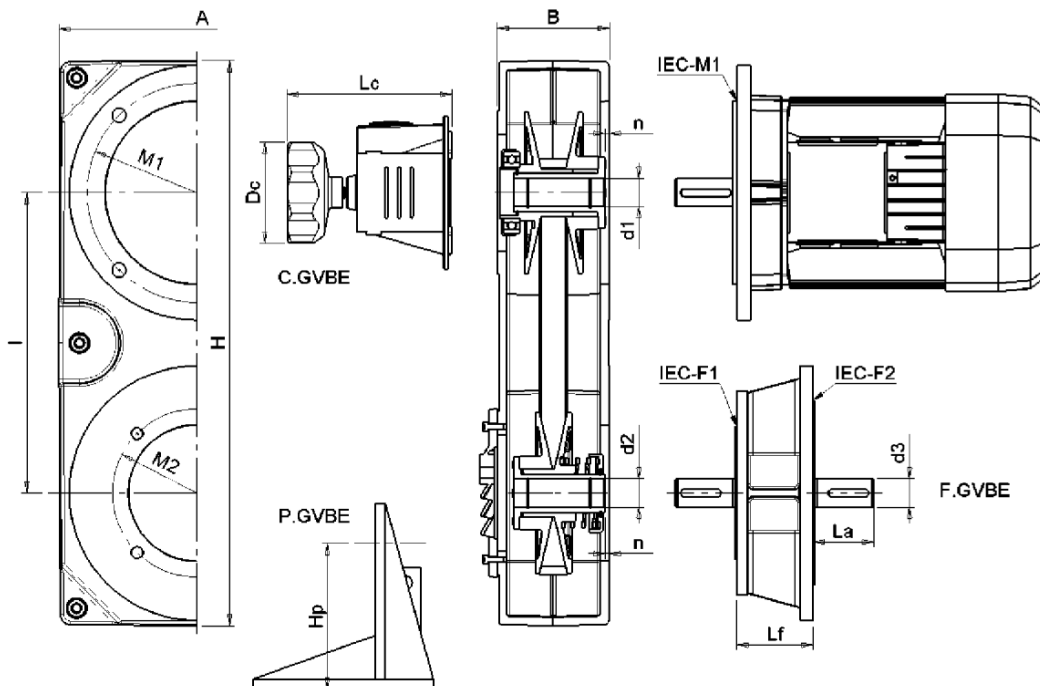


# VARIATORI VARIATORS



**GVBE 03**

## GVBE 03

POTENZA – POWER

**4,0 kW**

GRD SIZE	MOTORE MOTOR	IEC M <sub>1</sub>	P <sub>T1</sub> [Kw]	n <sub>1</sub> [rpm]	IEC F <sub>1</sub>	IEC F <sub>2</sub>	P <sub>T2</sub> [Kw]		n <sub>2</sub> [rpm]	
							max	min	max	min
3/150	100 B5	250	3,0	1430	200	250	2,7	0,96	3595	555
3/190	100 B5	250	3,0	1430	200	250	2,7	0,83	4230	470
3/196	112 B5	250	4,0	1440	200	250	3,6	1,33	4040	505

## DIMENSIONI - DIMENSIONS [mm]

GRD SIZE	d <sub>1</sub>	d <sub>2</sub>	n	M <sub>1</sub>	M <sub>2</sub>	A	B	H	I	L <sub>C</sub>	D <sub>C</sub>	d <sub>3</sub>	L <sub>a</sub>	L <sub>f</sub>	H <sub>p</sub>
3/150	28	28	10	215	165 215	270	110	555	295	142	100	28	60	75	195
3/190	28	28	10	215	165 215	270	110	555	295	142	100	28	60	75	195
3/196	28	28	--	215	165 215	270	110	555	295	142	100	28	60	75	195